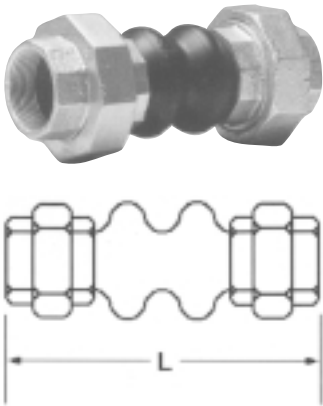


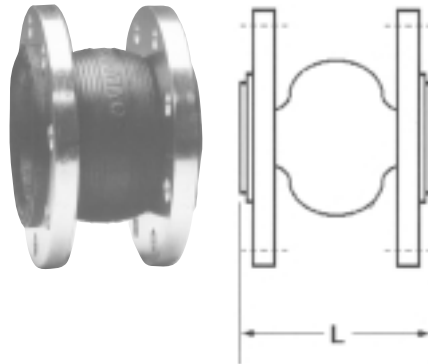
# Rubber Expansion Joint

Union End Expansion Joint  
Order No BL01



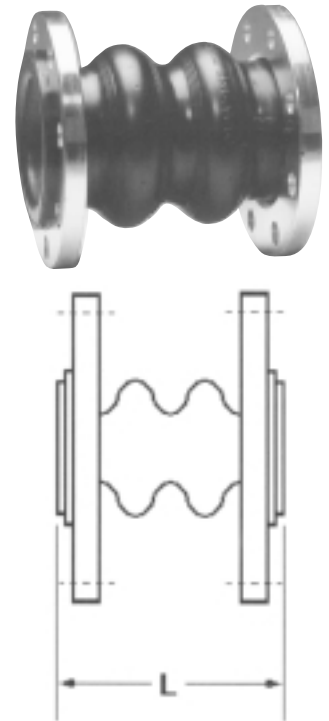
Nominal Pipe Size (Ins)	Length L (mm)	Compression Length (m)
1/2	165	22
3/4	165	22
1	175	22
1 1/4	186	22
1 1/2	186	22
2	200	22
2 1/2	218	22
3	260	22

Single Bellow Flange End Expansion Joint  
Order No BL02

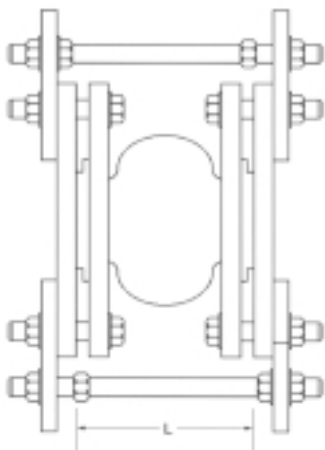


Nominal Pipe Size (Ins)	Length L (mm)	Compression (m)
3/4	93	8
1	93	8
1 1/4	93	8
1 1/2	93	8
2	99	8
2 1/2	108	12
3	116	12
4	129	12
5	142	16
6	156	16
8	177	20
10	206	20
12	217	20

Double Bellow Flange End Expansion Joint  
Order No 03



Nominal Pipe Size (Ins)	Length L (mm)	Compression Length (m)
3/4	120	10
1	120	10
1 1/4	175	15
1 1/2	175	15
2	175	15
2 1/2	175	15
3	175	15
4	225	20
5	225	20
6	225	20
8	325	25
10	325	25
12	325	25



Nominal Pipe Size (Ins)	Length L (mm)	Compression Length (m)
1 1/4	6	13
1 1/2	6	13
2	6	13
1 1/2	6	13
3	6	13
4	6	13
5	6	13
6	6	13
8	6	13
10	8	13
12	8	13



Material : (A) Steel  
(B) Stainless S/S 304  
(C) S/S31

Standard of flange 5k, 10k, 16k, 150Lb, 300Lb, ND10, DN16

Expansion Joint with Floating Flange

Type : BL01 Union screw end expansion joint

BL02 Single bellow flange end expansion joint

BL 03 Double bellow flange end expansion joint

BL 04 Expansion joint

Material : Floating flange

When ordering please state size, type & standard of flange

**Example:** Stainless steel 316 size single bellow flange end standard 10k

Order No: S/S 316, 1" BL02x10k