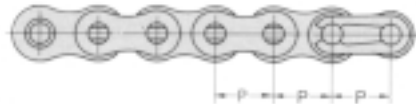
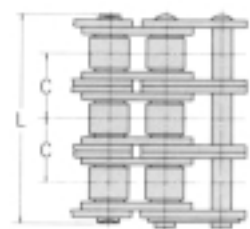
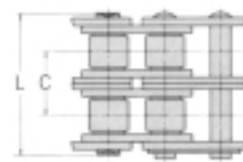
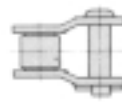
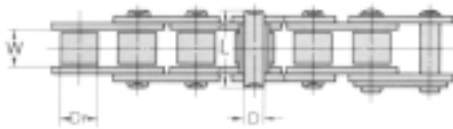


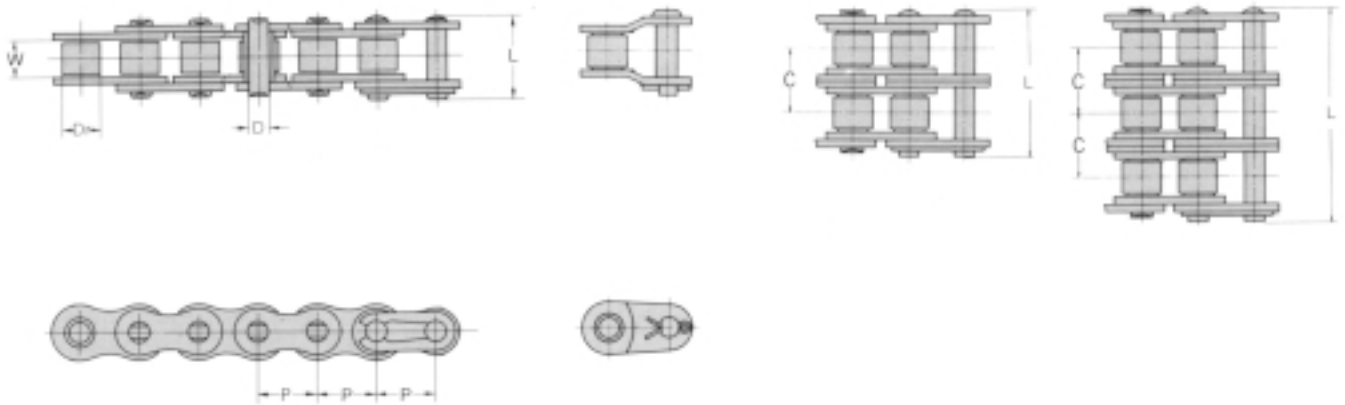
# Roller Chain



| Chain   |              | Pitch |        | Width between inner plates |       | Roller diameter |       | Pin diameter ① |       | Pin length ② |       | Transverse pitch |       | Breaking load |        | Weight |       |
|---------|--------------|-------|--------|----------------------------|-------|-----------------|-------|----------------|-------|--------------|-------|------------------|-------|---------------|--------|--------|-------|
| DIN Nr. | ISO B.S. No. | P     |        | W min                      |       | Dr max          |       | D max          |       | L max        |       | C                |       | min           |        |        |       |
|         |              | in    | mm     | in                         | mm    | in              | mm    | in             | mm    | in           | mm    | in               | mm    | Lbf           | kgf    | Lb/ft  | kg/m  |
| 03      |              | 0.197 | 5.00   | 0.098                      | 2.50  | 0.126           | 3.20  | 0.059          | 1.49  | 0.291        | 7.4   |                  |       | 450           | 200    | 0.05   | 0.08  |
| 04      |              | 0.236 | 6.00   | 0.110                      | 2.80  | 0.157           | 4.00  | 0.073          | 1.85  | 0.291        | 7.4   |                  |       | 680           | 310    | 0.08   | 0.11  |
| 05B     | 05B          | 0.315 | 8.00   | 0.118                      | 3.00  | 0.197           | 5.00  | 0.091          | 2.31  | 0.34         | 8.6   |                  |       | 1,000         | 460    | 0.11   | 0.17  |
| 06B     | 06B          | 3/8   | 9.525  | 0.225                      | 5.72  | 0.250           | 6.35  | 0.129          | 3.28  | 0.53         | 13.5  |                  |       | 2,000         | 910    | 0.28   | 0.42  |
| 081     |              | 1/2   | 12.70  | 0.130                      | 3.30  | 0.305           | 7.75  | 0.144          | 3.66  | 0.40         | 10.2  |                  |       | 1,800         | 820    | 0.19   | 0.28  |
| 082     |              | 1/2   | 12.70  | 0.094                      | 2.38  | 0.305           | 7.75  | 0.144          | 3.66  | 0.32         | 8.2   |                  |       | 2,200         | 1,000  | 0.17   | 0.26  |
| 083     |              | 1/2   | 12.70  | 0.192                      | 4.88  | 0.305           | 7.75  | 0.161          | 4.09  | 0.51         | 12.9  |                  |       | 2,600         | 1,200  | 0.28   | 0.42  |
| 084     |              | 1/2   | 12.70  | 0.192                      | 4.88  | 0.305           | 7.75  | 0.161          | 4.09  | 0.58         | 14.8  |                  |       | 3,500         | 1,600  | 0.40   | 0.59  |
| 085     |              | 1/2   | 12.70  | 0.251                      | 6.38  | 0.306           | 7.77  | 0.141          | 3.58  | 0.55         | 14.0  |                  |       | 1,500         | 680    |        |       |
| 08B     | 08B          | 1/2   | 12.70  | 0.305                      | 7.75  | 0.335           | 8.51  | 0.175          | 4.45  | 0.67         | 17.0  |                  |       | 4,000         | 1,820  | 0.44   | 0.    |
| 10B     | 10B          | 3/4   | 15.875 | 0.380                      | 9.65  | 0.400           | 10.16 | 0.200          | 5.08  | 0.77         | 19.6  |                  |       | 5,000         | 2,270  | 0.61   | 0.91  |
| 12B     | 12B          | 3/4   | 19.05  | 0.460                      | 11.68 | 0.475           | 12.07 | 0.225          | 5.72  | 0.89         | 22.7  |                  |       | 6,500         | 2,950  | 0.83   | 1.23  |
| 16B     | 16B          | 1     | 25.40  | 0.670                      | 17.02 | 0.625           | 15.88 | 0.326          | 8.28  | 1.42         | 36.1  |                  |       | 9,500         | 4,310  | 1.73   | 2.57  |
| 20B     | 20B          | 1 1/4 | 31.75  | 0.770                      | 19.56 | 0.750           | 19.05 | 0.401          | 10.19 | 1.70         | 43.2  |                  |       | 14,500        | 6,580  | 2.56   | 3.80  |
| 24B     | 24B          | 1 1/2 | 38.10  | 1.00                       | 25.40 | 1.000           | 25.40 | 0.576          | 14.63 | 2.10         | 53.4  |                  |       | 22,000        | 9,980  | 4.73   | 7.04  |
| 28B     | 28B          | 1 3/4 | 44.45  | 1.22                       | 30.99 | 1.100           | 27.94 | 0.626          | 15.90 | 2.56         | 65.1  |                  |       | 29,000        | 13,160 | 5.57   | 8.30  |
| 32B     | 32B          | 2     | 50.80  | 1.22                       | 30.99 | 1.150           | 29.21 | 0.701          | 17.81 | 2.65         | 67.4  |                  |       | 38,000        | 17,240 | 7.05   | 10.50 |
| 40B     | 40B          | 2 1/2 | 63.50  | 1.50                       | 38.10 | 1.550           | 39.37 | 0.901          | 22.89 | 3.25         | 82.6  |                  |       | 59,000        | 26,770 | 10.74  | 16.00 |
| 05B-2   | 05B-2        | 0.315 | 8.00   | 0.118                      | 3.00  | 0.197           | 5.00  | 0.091          | 2.31  | 0.57         | 14.3  | 0.222            | 5.64  | 1,750         | 800    | 0.24   | 0.36  |
| 06B-2   | 06B-2        | 3/8   | 9.525  | 0.225                      | 5.72  | 0.250           | 6.35  | 0.129          | 3.28  | 0.94         | 23.8  | 0.403            | 10.24 | 3,800         | 1,730  | 0.52   | 0.78  |
| 08B-2   | 08B-2        | 1/2   | 12.70  | 0.305                      | 7.75  | 0.335           | 8.51  | 0.175          | 4.45  | 1.22         | 31.0  | 0.548            | 13.92 | 7,000         | 3,180  | 0.91   | 1.35  |
| 10B-2   | 10B-2        | 3/4   | 15.875 | 0.380                      | 9.65  | 0.40            | 10.16 | 0.200          | 5.08  | 1.43         | 36.2  | 0.653            | 16.59 | 10,000        | 4,540  | 1.24   | 1.85  |
| 12B-2   | 12B-2        | 3/4   | 19.05  | 0.460                      | 11.68 | 0.475           | 12.07 | 0.225          | 5.72  | 1.66         | 42.2  | 0.766            | 19.46 | 13,000        | 5,900  | 1.68   | 2.50  |
| 16B-2   | 16B-2        | 1     | 25.40  | 0.670                      | 17.02 | 0.625           | 15.88 | 0.326          | 8.28  | 2.68         | 68.0  | 1.255            | 31.88 | 19,000        | 8,620  | 3.63   | 5.40  |
| 20B-2   | 20B-2        | 1 1/4 | 31.75  | 0.770                      | 19.56 | 0.75            | 19.05 | 0.401          | 10.19 | 3.14         | 79.7  | 1.435            | 36.45 | 29,000        | 13,160 | 4.83   | 7.20  |
| 24B-2   | 24B-2        | 1 1/2 | 38.10  | 1.00                       | 25.40 | 1.00            | 25.40 | 0.576          | 14.63 | 4.01         | 101.8 | 1.904            | 48.36 | 44,000        | 19,960 | 9.06   | 13.50 |
| 28B-2   | 28B-2        | 1 3/4 | 44.45  | 1.22                       | 30.99 | 1.10            | 27.94 | 0.626          | 15.90 | 4.91         | 124.7 | 2.345            | 59.56 | 58,000        | 26,320 | 11.14  | 16.60 |
| 32B-2   | 32B-2        | 2     | 50.80  | 1.22                       | 30.99 | 1.15            | 29.21 | 0.701          | 17.81 | 4.96         | 126.0 | 2.305            | 58.55 | 76,000        | 34,480 | 14.10  | 21.00 |
| 40B-2   | 40B-2        | 2 1/2 | 63.50  | 1.50                       | 38.10 | 1.55            | 39.37 | 0.901          | 22.89 | 6.10         | 154.9 | 2.846            | 72.29 | 118,000       | 53,540 | 21.48  | 32.00 |
| 05B-3   | 05B-3        | 0.315 | 8.00   | 0.118                      | 3.00  | 0.197           | 5.00  | 0.091          | 2.31  | 0.79         | 19.9  | 0.222            | 5.64  | 2,500         | 1,140  | 0.36   | 0.54  |
| 06B-3   | 06B-3        | 3/8   | 9.525  | 0.225                      | 5.72  | 0.250           | 6.35  | 0.129          | 3.28  | 1.34         | 34.0  | 0.403            | 10.24 | 5,600         | 2,540  | 0.79   | 1.18  |
| 08B-3   | 08B-3        | 1/2   | 12.70  | 0.305                      | 7.75  | 0.335           | 8.51  | 0.175          | 4.45  | 1.77         | 44.9  | 0.548            | 13.92 | 10,000        | 4,540  | 1.34   | 2.00  |
| 10B-3   | 10B-3        | 3/4   | 15.875 | 0.380                      | 9.65  | 0.40            | 10.16 | 0.200          | 5.08  | 2.08         | 52.8  | 0.653            | 16.59 | 15,000        | 6,810  | 1.88   | 2.80  |
| 12B-3   | 12B-3        | 3/4   | 19.05  | 0.460                      | 11.68 | 0.475           | 12.07 | 0.225          | 5.72  | 2.43         | 61.7  | 0.766            | 19.46 | 19,500        | 8,850  | 2.55   | 3.80  |
| 16B-3   | 16B-3        | 1     | 25.40  | 0.670                      | 17.02 | 0.625           | 15.88 | 0.326          | 8.28  | 3.93         | 99.9  | 1.255            | 31.88 | 28,500        | 12,930 | 5.37   | 8.00  |
| 20B-3   | 20B-3        | 1 1/4 | 31.75  | 0.770                      | 19.56 | 0.75            | 19.05 | 0.401          | 10.19 | 4.57         | 116.1 | 1.435            | 36.45 | 43,500        | 19,740 | 7.39   | 11.00 |
| 24B-3   | 24B-3        | 1 1/2 | 38.10  | 1.00                       | 25.40 | 1.00            | 25.40 | 0.576          | 14.63 | 5.91         | 150.2 | 1.904            | 48.36 | 66,000        | 29,940 | 14.10  | 21.00 |
| 28B-3   | 28B-3        | 1 3/4 | 44.45  | 1.22                       | 30.99 | 1.10            | 27.94 | 0.626          | 15.90 | 7.25         | 184.3 | 2.345            | 59.56 | 87,000        | 39,480 | 16.78  | 25.00 |
| 32B-3   | 32B-3        | 2     | 50.80  | 1.22                       | 30.99 | 1.15            | 29.21 | 0.701          | 17.81 | 7.26         | 184.5 | 2.305            | 58.55 | 114,000       | 51,720 | 21.48  | 32.00 |
| 40B-3   | 40B-3        | 2 1/2 | 63.50  | 1.50                       | 38.10 | 1.55            | 39.37 | 0.901          | 22.89 | 8.95         | 227.2 | 2.846            | 72.29 | 177,000       | 80,310 | 32.23  | 48.00 |

① Bearing pin body diameter ② With over bearing pins

# Roller Chain



| Chain    |             | Pitch |        | Width between inner plates |       | Roller diameter |       | Pin diameter ① |       | Pin length ② |        | Transverse pitch |       | Breaking load |         | Weight |       |
|----------|-------------|-------|--------|----------------------------|-------|-----------------|-------|----------------|-------|--------------|--------|------------------|-------|---------------|---------|--------|-------|
| ANSI No. | DIN ISO Nr. | P     |        | W min                      |       | Dr max          |       | D max          |       | L            |        | C                |       | Lbf           | kgf     | Lb/ft  | kg/m  |
|          |             | in    | mm     | in                         | mm    | in              | mm    | in             | mm    | in           | mm     | in               | mm    |               |         |        |       |
| 25       |             | 1/4   | 6.35   | 0.122                      | 3.10  | 0.130*          | 3.30* | 0.091          | 2.31  | 0.339        | 8.60   |                  |       | 880           | 400     | 0.09   | 0.13  |
| 35       |             | 3/8   | 9.525  | 0.184                      | 4.68  | 0.200*          | 5.08* | 0.141          | 3.59  | 0.510        | 12.95  |                  |       | 1,960         | 900     | 0.21   | 0.32  |
| 40       | 08A         | 1/2   | 12.70  | 0.309                      | 7.85  | 0.312           | 7.92  | 0.156          | 3.97  | 0.691        | 17.55  |                  |       | 3,530         | 1,600   | 0.40   | 0.60  |
| 41       | 08S         | 1/2   | 12.70  | 0.246                      | 6.25  | 0.306           | 7.77  | 0.141          | 3.59  | 0.567        | 14.40  |                  |       | 1,980         | 900     | 0.27   | 0.40  |
| 50       | 10A         | 3/4   | 15.875 | 0.370                      | 9.40  | 0.400           | 10.16 | 0.200          | 5.09  | 0.856        | 21.75  |                  |       | 5,360         | 2,430   | 0.68   | 1.01  |
| 60       | 12A         | 1     | 19.05  | 0.495                      | 12.58 | 0.469           | 11.91 | 0.234          | 5.96  | 1.059        | 26.90  |                  |       | 7,760         | 3,520   | 1.01   | 1.50  |
| 80       | 16A         | 1     | 25.40  | 0.620                      | 15.75 | 0.625           | 15.87 | 0.312          | 7.94  | 1.390        | 35.30  |                  |       | 13,700        | 6,200   | 1.69   | 2.51  |
| 100      | 20A         | 1 1/4 | 31.75  | 0.744                      | 18.90 | 0.750           | 19.05 | 0.375          | 9.54  | 1.699        | 43.15  |                  |       | 20,500        | 9,300   | 2.56   | 3.82  |
| 120      | 24A         | 1 1/2 | 38.10  | 0.993                      | 25.23 | 0.875           | 22.22 | 0.437          | 11.11 | 2.122        | 53.90  |                  |       | 29,800        | 13,500  | 3.69   | 5.49  |
| 0        | 28A         | 1 3/4 | 44.45  | 0.993                      | 25.23 | 1               | 25.40 | 0.500          | 12.71 | 2.303        | 58.50  |                  |       | 40,300        | 18,300  | 4.68   | 6.96  |
| 160      | 32A         | 2     | 50.80  | 1.242                      | 31.55 | 1.125           | 28.57 | 0.562          | 14.29 | 2.742        | 69.65  |                  |       | 52,500        | 23,800  | 6.29   | 9.36  |
| 200      | 40A         | 2 1/2 | 63.50  | 1.490                      | 35.49 | 1.562           | 39.67 | 0.781          | 19.85 | 3.398        | 86.30  |                  |       | 82,000        | 37,200  | 10.70  | 15.92 |
| 25-2     |             | 1/4   | 6.35   | 0.122                      | 3.10  | 0.130           | 3.30  | 0.091          | 2.31  | 0.691        | 15.00  | 0.252            | 6.40  | 1,760         | 800     | 0.18   | 0.26  |
| 35-2     |             | 3/8   | 9.525  | 0.184                      | 4.68  | 0.200           | 5.08  | 0.141          | 3.59  | 0.907        | 23.05  | 0.398            | 10.10 | 3,970         | 1,800   | 0.42   | 0.64  |
| 40-2     | 08A-2       | 1/2   | 12.70  | 0.309                      | 7.85  | 0.312           | 7.92  | 0.156          | 3.97  | 1.254        | 31.85  | 0.567            | 14.40 | 7,050         | 3,200   | 0.80   | 1.20  |
| 50-2     | 10A-2       | 3/4   | 15.875 | 0.370                      | 9.40  | 0.400           | 10.16 | 0.200          | 5.09  | 1.569        | 39.85  | 0.713            | 18.10 | 10,700        | 4,860   | 1.36   | 2.02  |
| 60-2     | 12A-2       | 1     | 19.05  | 0.495                      | 12.58 | 0.469           | 11.91 | 0.234          | 5.96  | 1.957        | 49.70  | 0.898            | 22.80 | 15,500        | 7,040   | 2.02   | 3.00  |
| 80-2     | 16A-2       | 1     | 25.40  | 0.620                      | 15.75 | 0.625           | 15.87 | 0.312          | 7.94  | 2.543        | 64.60  | 1.154            | 29.30 | 27,300        | 12,400  | 3.38   | 5.02  |
| 100-2    | 20A-2       | 1 1/4 | 31.75  | 0.744                      | 18.90 | 0.750           | 19.05 | 0.375          | 9.54  | 3.108        | 78.95  | 1.409            | 35.80 | 41,000        | 18,600  | 5.12   | 7.64  |
| 120-2    | 24A-2       | 1 1/2 | 38.10  | 0.993                      | 25.23 | 0.875           | 22.22 | 0.437          | 11.11 | 3.909        | 99.30  | 1.787            | 45.40 | 59,500        | 27,000  | 7.38   | 10.98 |
| 140-2    | 28A-2       | 1 3/4 | 44.45  | 0.993                      | 25.23 | 1               | 25.40 | 0.500          | 12.71 | 4.228        | 107.40 | 1.925            | 48.90 | 80,700        | 36,600  | 9.36   | 13.92 |
| 160-2    | 32A-2       | 2     | 50.80  | 1.242                      | 31.55 | 1.125           | 28.57 | 0.562          | 14.29 | 5.045        | 128.15 | 2.303            | 58.50 | 104,900       | 47,600  | 12.58  | 18.72 |
| 200-2    | 40A-2       | 2 1/2 | 63.50  | 1.490                      | 35.49 | 1.562           | 39.67 | 0.781          | 19.85 | 6.217        | 157.90 | 2.819            | 71.60 | 164,000       | 74,400  | 21.40  | 31.84 |
| 25-3     |             | 1/4   | 6.35   | 0.122                      | 3.10  | 0.130           | 3.30  | 0.091          | 2.31  | 0.843        | 21.40  | 0.252            | 6.40  | 2,650         | 1,200   | 0.27   | 0.39  |
| 35-3     |             | 3/8   | 9.525  | 0.184                      | 4.68  | 0.200           | 5.08  | 0.141          | 3.59  | 1.305        | 33.15  | 0.398            | 10.10 | 5,950         | 2,700   | 0.63   | 0.96  |
| 40-3     | 08A-3       | 1/2   | 12.70  | 0.309                      | 7.85  | 0.312           | 7.92  | 0.156          | 3.97  | 1.821        | 46.25  | 0.567            | 14.40 | 10,600        | 4,800   | 1.20   | 1.80  |
| 50-3     | 10A-3       | 3/4   | 15.875 | 0.370                      | 9.40  | 0.400           | 10.16 | 0.200          | 5.09  | 2.281        | 57.95  | 0.713            | 18.10 | 16,100        | 7,290   | 2.04   | 3.03  |
| 60-3     | 12A-3       | 1     | 19.05  | 0.495                      | 12.58 | 0.469           | 11.91 | 0.234          | 5.96  | 2.854        | 72.50  | 0.898            | 22.80 | 23,300        | 10,560  | 3.03   | 4.50  |
| 80-3     | 16A-3       | 1     | 25.40  | 0.620                      | 15.75 | 0.625           | 15.87 | 0.312          | 7.94  | 3.697        | 93.90  | 1.154            | 29.30 | 41,000        | 18,600  | 5.07   | 7.53  |
| 100-3    | 20A-3       | 1 1/4 | 31.75  | 0.744                      | 18.90 | 0.750           | 19.05 | 0.375          | 9.54  | 4.518        | 114.75 | 1.409            | 35.80 | 61,500        | 27,900  | 7.68   | 11.46 |
| 120-3    | 24A-3       | 1 1/2 | 38.10  | 0.993                      | 25.23 | 0.875           | 22.22 | 0.437          | 11.11 | 5.697        | 144.70 | 1.787            | 45.40 | 89,300        | 40,500  | 11.07  | 16.47 |
| 140-3    | 28A-3       | 1 3/4 | 44.45  | 0.993                      | 25.23 | 1               | 25.40 | 0.500          | 12.71 | 6.154        | 156.30 | 1.925            | 48.90 | 121,000       | 54,900  | 14.04  | 20.88 |
| 160-3    | 32A-3       | 2     | 50.80  | 1.242                      | 31.55 | 1.125           | 28.57 | 0.562          | 14.29 | 7.348        | 186.65 | 2.303            | 58.50 | 157,000       | 71,400  | 18.87  | 28.08 |
| 200-3    | 40A-3       | 2 1/2 | 63.50  | 1.490                      | 35.49 | 1.562           | 39.67 | 0.781          | 19.85 | 9.035        | 229.50 | 2.819            | 71.60 | 246,000       | 111,600 | 32.10  | 47.76 |
| 60H      |             | 3/8   | 19.05  | 0.495                      | 12.58 | 0.469           | 11.91 | 0.234          | 5.96  | 1.177        | 29.90  |                  |       | 9,260         | 4,200   | 1.20   | 1.80  |
| 80H      |             | 1     | 25.40  | 0.620                      | 15.75 | 0.625           | 15.87 | 0.312          | 7.94  | 1.516        | 38.50  |                  |       | 14,770        | 6,700   | 1.95   | 2.90  |
| 100H     |             | 1 1/4 | 31.75  | 0.744                      | 18.90 | 0.750           | 19.05 | 0.375          | 9.54  | 1.824        | 46.35  |                  |       | 23,400        | 10,600  | 2.84   | 4.22  |
| 120H     |             | 1 1/2 | 38.10  | 0.993                      | 25.23 | 0.875           | 22.22 | 0.437          | 11.11 | 2.248        | 57.10  |                  |       | 33,700        | 15,300  | 4.07   | 6.05  |
| 140H     |             | 1 3/4 | 44.45  | 0.993                      | 25.23 | 1               | 25.40 | 0.500          | 12.71 | 2.429        | 61.70  |                  |       | 45,900        | 20,800  | 5.08   | 7.56  |

① Bearing pin body diameter    ② Width over bearing pins