

Wire Rope Clips

STANDARD & DROP FORGED STEEL CASE

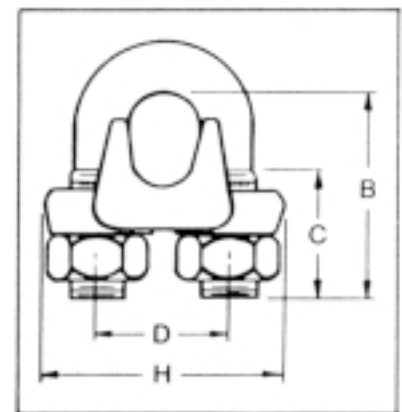
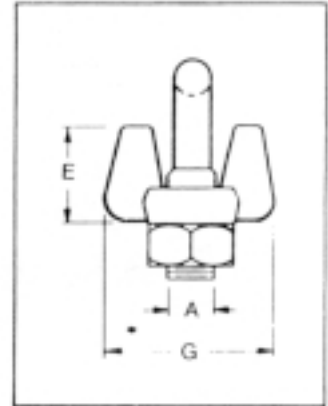


① Standard Type
(Cast Iron Case)

(Drop Forged Steel Case)



U.S. Federal Spec.
FF-C-450b
Type 1 Class 1



① Sizes and weights (Approx.)

Nominal Size		Dia. of U-Bolt		W/pce
in	mm	in	mm	kg
4.5	3/8	4.5	3/8	0.017
6	3/8	6	3/8	0.035
8	3/8	6	3/8	0.041
9	3/8	8	3/8	0.080
12	1/2	9	3/8	0.125
14	3/8	9	3/8	0.150
16	3/8	13	1/2	0.225
19	3/8	13	1/2	0.270
20	3/8	16	3/8	0.440
22	3/8	16	3/8	0.490
25	1"	16	3/8	0.570
28	1 1/8	19	3/8	1.030
32	1 1/8	19	3/8	1.260
38	1 1/2	22	3/8	2.020
44	1 3/8	25	1"	3.270
50	2"	25	1"	4.900

Clip and Rope Size Inches	DIMENSIONS IN INCHES							Minimum Number Clips Required	Weight Pounds Per 100
	A	B	C	D	E	G	H		
1/8	7/32	23/32	7/16	15/32	13/32	13/16	15/16	2	5
3/16	1/4	31/32	9/16	19/32	1/2	15/16	15/32	2	9
1/4	5/16	1 1/32	1/2	3/4	21/32	13/16	17/16	2	18
5/16	3/8	1 3/8	3/4	7/8	23/32	15/16	1 11/16	2	30
3/8	7/16	1 1/2	3/4	1	29/32	1 5/8	1 15/16	2	42
7/16	1/2	1 7/8	1	1 3/16	1 1/32	1 13/16	2 9/32	2	70
1/2	1/2	1 3/8	1	1 3/16	1 1/8	1 29/32	2 9/32	3	75
9/16	9/16	2 1/4	1 1/4	1 5/16	1 7/32	2 1/16	2 1/2	3	100
5/8	9/16	2 3/8	1 1/4	1 5/16	1 11/32	2 1/16	2 1/2	3	100
3/4	5/8	2 3/4	1 7/16	1 1/2	1 13/32	2 1/4	2 27/32	4	150
7/8	3/4	3 1/8	1 5/8	1 3/4	1 19/32	2 7/16	3 5/32	4	240
1	3/4	3 1/2	1 13/16	1 7/8	1 25/32	2 5/8	3 15/32	5	250
1 1/8	3/4	3 5/8	2	2	1 29/32	2 13/16	3 19/32	6	310
1 1/4	7/8	4 1/4	2 1/8	2 5/16	2 3/16	3 1/8	4 1/8	7	460
1 3/8	7/8	4 5/8	2 5/16	2 3/8	2 5/16	3 3/8	4 3/16	7	520
1 1/2	7/8	4 15/16	2 3/8	2 19/32	2 17/32	3 13/32	4 7/16	8	590
1 5/8	1	5 5/16	2 5/8	2 3/4	2 21/32	3 5/8	4 3/4	8	730
1 3/4	1 1/8	5 3/4	2 3/4	3 1/16	2 15/16	3 13/16	5 9/32	8	980
2	1 1/4	6 7/16	3	3 3/8	3 9/32	4 7/16	5 7/8	8	1340
2 1/4	1 1/4	7 1/8	3 3/16	3 7/8	3 15/16	4 9/16	6 3/8	8	1570
2 1/2	1 1/4	7 11/16	3 7/16	4 1/8	4 7/16	4 11/16	6 5/8	9	1790
2 3/4	1 1/4	8 5/16	3 9/16	4 3/8	4 7/8	5	6 7/8	10	2200
3	1 1/2	9 3/16	3 3/8	4 3/4	5 11/32	5 5/16	7 5/8	10	3200