

Drum Handling Equipment



DL30 Foot Pump
(Three Wheels Manual Hand Lift)



DL32
(Three Wheels Manual Hand Lift)



DL33
(Three Wheels Manual Hand Lift)



DL35
Tilting Drum Stand
Drum size: 570 X 900



DL34
(Three Wheels Manual Hand Lift)

Order No	DL34	DL32	DL33	DL3D	DL35
Load Capacity (kgs)	300	300	300	300	300
Over-All Length (mm)	1390	900	800	1025	1130
Over-All Width (mm)	870	760	800	810	415
Over-All Height (mm)	1670	1200	1150	1180	440
Front Wheels (mm)	200	280	200	160	125
Rear Wheels (mm)	100	-	130	130	80
Net Weight (kgs)	50	20	32	65	14
Lifting Height (mm)	240	90	100	520	-

Hydraulic Lifting Table



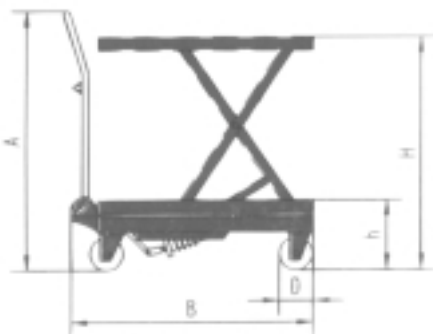
HL1/HL2



HL3



HL4



Order No	HL-1	HL-2	HL-4	HL-5
Load Capacity (kgs)	300	500	750	350
Max. Height (Raised H) mm	900		1000	1300
Min. Height (Lowered H) mm	280		420	340
Table Size (Lx WxH) mm	815x500x50		1000x510x55	910x500x52
Over-All Height (A)	1000		996	970
Over-All Length (B)	935		1150	980
Wheel Diameter (D) mm	127		150	127
Weight (kg)	75		114	105