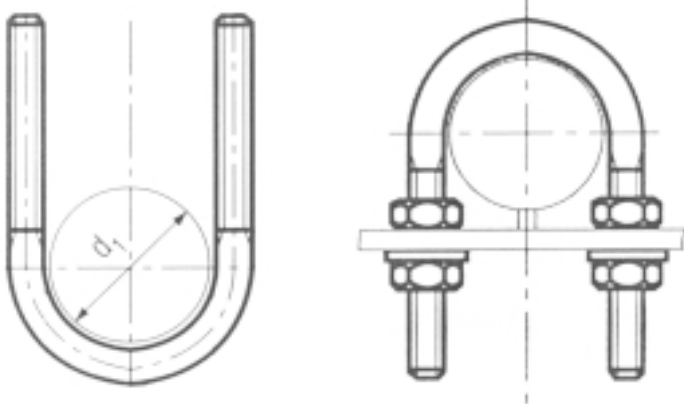


# U bolt Galv'D, High Tensite & Stainless Steel



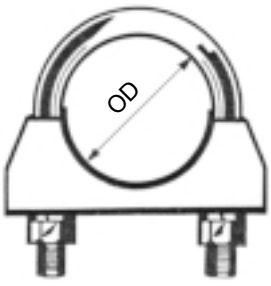
**Order No: UB**

Thickness: 1/4", 5/16", 3/8", 1/2", 5/8", 3/4"

U Bolt Material: Galv'D Steed UB-G  
 High Tensite UB-H  
 Stainless Steel 304 UB-304  
 Stainles Steel 316 UB-316

Example: 316S/S 1 1/4" U Bolt Order No: UB-316-1/4"

d, mm	Pipe Size	1/4"	5/16"	3/8"	1/2"	5/8"	3/4"
13.8	1/4"	•					
17.3	3/8"	•					
21.7	1/2"	•	•				
27.2	3/4"	•	•	•			
34	1"	•	•	•			
42.7	1.1/4"	•	•	•			
48.8	1.1/2"	•	•	•			
60.5	2"	•	•	•	•		
76.3	2.1/2"	•	•	•	•		
89.1	3"	•	•	•	•	•	
101.6	3.1/2"	•	•	•	•	•	
114.3	4"	•	•	•	•	•	•
139.8	5"		•	•	•	•	•
165.2	6"		•	•	•	•	•
216.3	8"			•	•	•	•
267.4	10"				•	•	•
318.5	12"				•	•	•
355.6	14"				•	•	•



**Hdlow Bar Clamp**

Order No: UC

Note: all clamp size is base on steel RD Bar OD. (note base on pipe size)

Range	Inch	1 7/8	2	2 1/8	2 1/4	2 3/8	2 1/2	3
	mm	47.6	50.8	54	57.15	60.3	63.5	76

Example: 2 1/8" Hdlow Bar Clamp  
 Order No: UC-2 1/8" Hdlow Bar Clamp



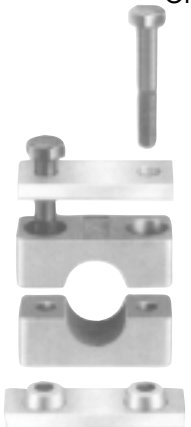
**Tube Clamp Standard Type**

Order No: TCS

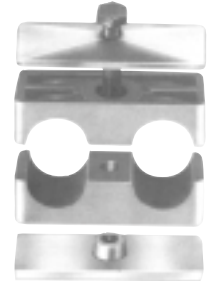
Note: All D Diameter is base on tubeing OD

Range D	AF Size	6	8	10	12	14	15	16	18	20	22	23
		25	28	30	32	35	38	40	42	45	48	50
	mm Size	1/8	1/4	3/8	1/2	3/4	1	1 1/4	1 1/2	1 3/4	2	

Example: 3/8" Tube Clamp Standard Type  
 Order No: TCS-3/8"



**Order No: TCS 1**  
 Heavy Duty Tube Clamp  
 (with top & bottom base)



**Order No: TCS 2**  
 Standard Double Tube Clamp