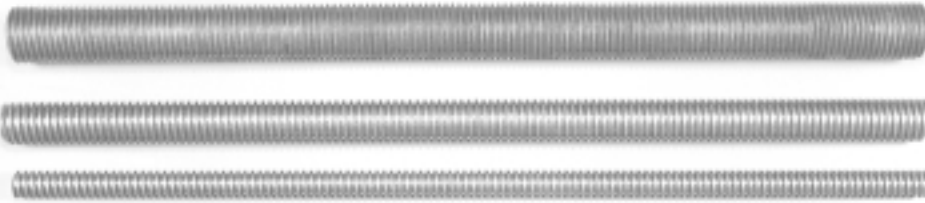


Threaded Rod Stud Bolts

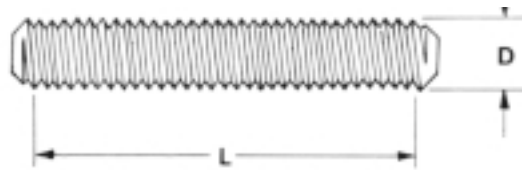


Brass: Order No. MSTR
 Mild Steel: Order No. MSTR
 High-Tensile: Order No. HTTR
 Stainless Steel 304: Order No. 304TR
 Stainless Steel 316: Order No. 316TR

(For Threaded Rod all in 2 meter length)

BTR Range: M4-36 mm x 2 meter 1/4"W-1" x 2 meter
 BSTR Range: M4-48 mm x 2 meter 1/4"W-2" x 2 meter
 HTTR Range: M4-48 mm x 2 meter 1/2"W-2" x 2 meter
 304TR Range: M4-36 mm x 2 meter 1/4"W-2" x 2 meter
 316TR Range: M4-36 mm x 2 meter 1/4"W-1 1/2" x 2 meter

*Also available in special length

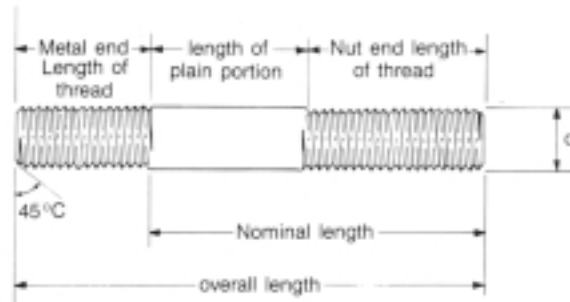


STANDARD: The studs are made to dimension conforms to requirements of ANSI Standard B16.5. Threads are in accordance with ANSI B1.1 Unified coarse thread series class 2A for diameter 1 in. and smaller, and 8 thread series class 2A for diameter 1-1/8 in. and larger.

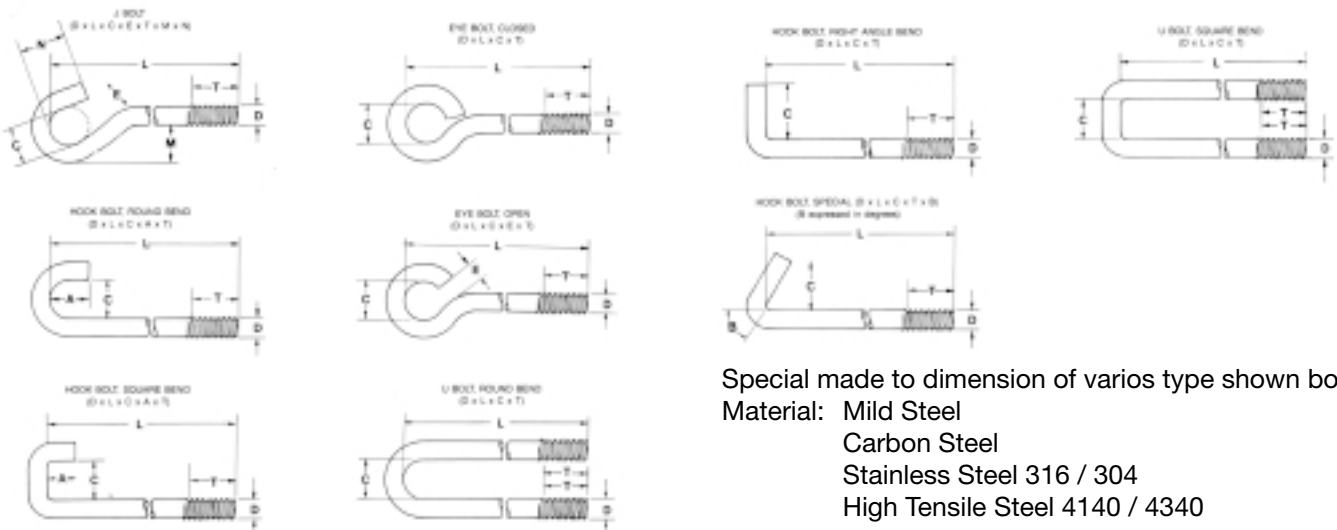
SPECIFICATION: TO ASTM A193

- (1) Grade B7 (Chromium — Molybdenum)
- (2) Grade B8 (Unstabilized 18 chromium — 8 Nickel)
- (3) Grade B8M (18 Chromium — 10 Nickel — 2 Molybdenum)

RANGE: Diameter 1/2" to 2"
 Length up to 20 feet.



Made to size: M6 — M20 (mm size)
 Stud Bolt from 1/4" — 3/4" (inche size)
 Material: Brass
 Stainless Steel 316, 304
 Mild Steel
 Carbon Steel S45C
 High Tensile Steel 4140 / 4340



Special made to dimension of varios type shown bolt.
 Material: Mild Steel
 Carbon Steel
 Stainless Steel 316 / 304
 High Tensile Steel 4140 / 4340