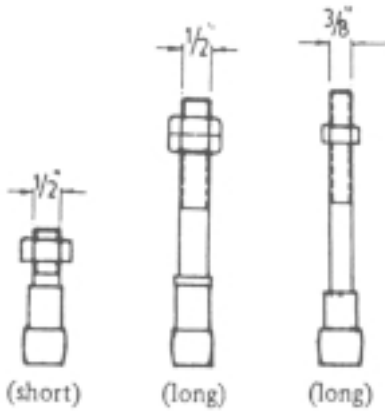


# Sliding Door Gears



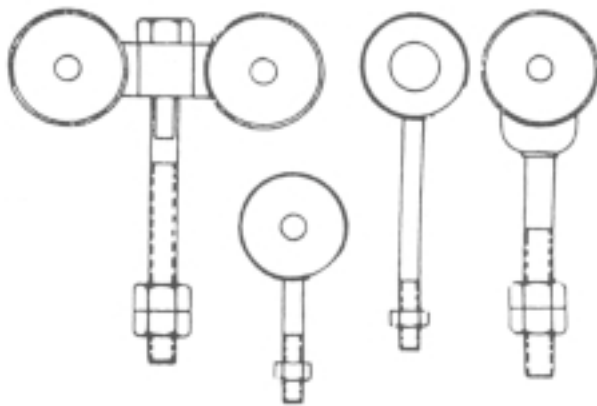
## Trolley Track:-

16G x 65 mm x 44 mm x 6 mt  
 12G x 65 mm x 44 mm x 6 mt  
 3 mm x 67 mm x 50 mm x 6 mt  
 3mm x 82 mm x 50 mm x 6 mt



## Bottom Guide

3/8"  
 1/2"



## Roller (Single Roller/Double Roller)

No.3	No.4	No.5
3/8" x 5"	1/2" x 55 mm	1/2" x 55 mm
1/2" x 5"	1/2" x 70 mm	1/2" x 70 mm

## Triangle Section (Mild Steel)

3/8" x 3/4" x 6 mt



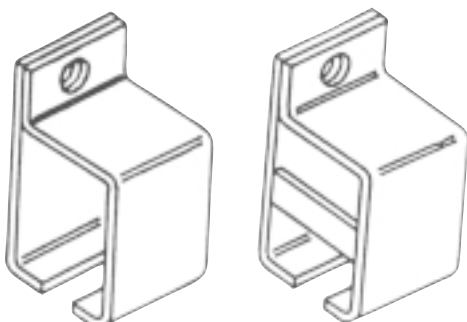
## Bottom Channel

Mild Steel / Stainless Steel  
 16G x 1" x 1" x 6 mt



## Door Hinges

Galvanized 4"



## Bracket (Galvanized)

2" x 2 1/2"  
 66 x 82  
 68 x 90