

# Industrial Trolley & Truck

ORDER NO:



**B-01**



**B-02**



**B-03**



**B-04**



**B-05**



**B-06**



**F-01**



**F-02**



**F-03**



**F-04**



**F-05**



**F-06**



**G-01**



**G-02**



**G-03**



**H-01**



**H-02**



**H-03**



**R-01**



**AF-01**



**AF-02**



**BB-01**



**BB-01**



**BB-01**

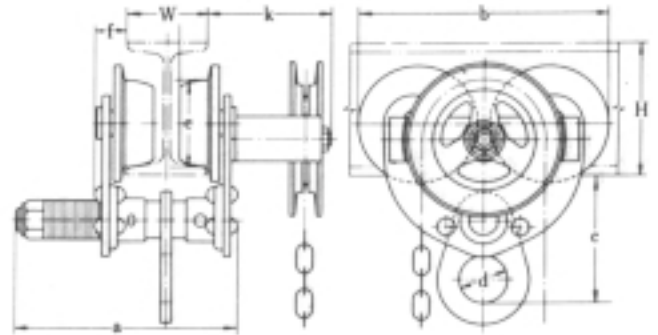
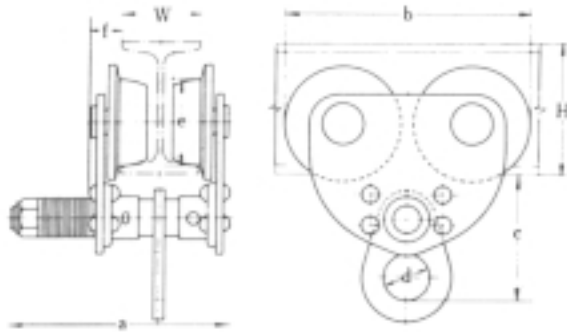


**BB-01**

Order No	Loading Face (mm)	Floor Height (mm)	Handle Height (mm)	Net Weight (kg)	Loading Capacity (kg)	Caster (mm)	Starting Resistance (kg)
B-01	740 X 480	140	830	12.5	150	100	2.6
B-02			850	20			
B-03			850	27			
B-04			990	26.6			
B-05			850	18			
B-06			850	19.7			
F-01	920 X 610	210	870	22.5	300	130	3.1
F-02			930	34			
F-03			930	45			
F-04			880	24.5			
F-05			920	30			
F-06			920	32.5			
G-01	1240 X 790	290	290	44	500	200	5.7
G-02			290	43			
G-03			290	49			
R-01	715 x 460	135	825	11.7	150	100	2.6
H-01	1230 X 780	320	320	45	600	200	6.6
H-02			320	51			
AF-01	900 X 600	220	860	24	400	130	3.1
AF-02			860	28			
BB-01	710 X 455	145	-	5.4	120	100	2.6
BB-02			835	9			
BB-03			855	13.8			
BB-04			855	18			
BF-01	895 X 595	215	-	12.6	300	130	37
BF-02			930	32.5			

# Plain Trolley

# Geared Trolley



## APPLICATION

Lifting and removing of package.



Installation of engine to boat.



Repairing of big machinery.



Loading and discharging of various kinds of big package.



Cap. tons	Fits Beams mm				Dimensions mm							Minimum Rolling Radius mm	Wt. kgs	Type No.
	W		H		a	b	c	d	e	f	k			
	Min.	Max.	Min.	Max.										

### PLAIN TROLLEYS

1/2	75	125	100	150	206	174	120	45	55	27	—	900	6.0	05AP
1	75	125	125	250	206	231	120	45	80	27	—	1300	10.0	10AP
2	100	150	150	400	241	271	155	60	100	33	—	1500	18.5	20AP
3	100	150	180	400	261	311	185	70	113	47	—	2000	26.0	30AP
5	125	175	250	450	294	351	220	80	125	53	—	2600	44.0	50AP
10	150	175	250	450	294	721	165	—	125	53	—	∞	96.0	90AP

### GEARED TROLLEYS

1	75	125	125	250	206	231	120	45	80	27	117	1300	14.0	10AG
2	100	150	150	400	241	271	155	60	100	33	119	1500	23.5	20AG
3	100	150	180	400	261	311	185	70	113	47	134	2000	33.5	30AG
5	125	175	250	450	294	351	220	80	125	53	134	2600	53.5	50AG
10	150	175	250	450	294	721	165	—	125	53	134	∞	101.0	90AG






### How to assemble according to width of running rail.

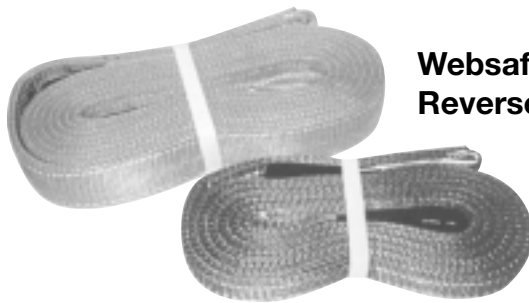
Cap. tons	Combination of adjustable washers for respective widths of running rail mm								
	(Minimum width) A	B	C	D	E	F	G	H	(Maximum width) I
1/2	75	81.3	87.5	93.8	100	106.3	112.5	118.8	125
1	75	81.3	87.5	93.8	100	106.3	112.5	118.8	125
2	100	106.3	112.5	118.8	125	131.3	137.5	143.8	150
3	100	106.3	112.5	118.8	125	131.3	137.5	143.8	150
5	125	131.3	137.5	143.8	150	156.3	162.5	168.8	175

### HOW TO ADJUST THE WIDTH OF TROLLEY.

<b>A</b>	<b>B</b>	<b>C</b>	<b>D</b>	<b>E</b>
<b>F</b>	<b>G</b>	<b>H</b>	<b>I</b>	
				<b>10 ton only</b>
				a b c
				A 8 0 0
				B 6 1 1
				C 4 2 2
				D 2 3 3
				I 0 4 4

# Safe Working Loads

	Vertical Straight Lift	Choked Lift	Basket Hitch	Basket Hitch 45°	Basket Hitch 90°
					
Colour	Kg	Kg	Kg	Kg	Kg
Violet	1000	800	2000	1800	1400
Green	2000	1600	4000	3600	2800
Yellow	3000	2400	6000	5400	4200
Grey	4000	3200	8000	7200	5600
Red	5000	4000	10000	9000	7000
Brown	6000	4800	12000	10800	8400
Blue	8000	6400	16000	14400	11200
Orange	10000	8000	20000	18000	14000
Orange	12000	9600	24000	21600	16800



**Websafe Polyester Webbing Sling (2 Ply, Reversed Eye)**

## Advantages of Websafe Polyester Webbing Sling

- Polyester slings are unaffected by grease, oil, rot, bacteria and has good chemical and acid resistance
- Lightweight and high tenacity and excellent flexibility allow safe use
- Ease of handling, transportation and storage
- Unlikely to deface or scratch polished surfaces

## Storage

- All slings are to be stored in cool dry and dark place when not in use for prolonged periods

## Care

- Synthetic webbing slings are easily cut when in contact with sharp edges. It must be protected or padded before use
- Though polyester slings has good chemically resistance, one must exercise due care when used in chemically active environments

## Caution

- It is important to select a sling according to the load. Never overload
- Inspect slings frequently. Never use a damage sling