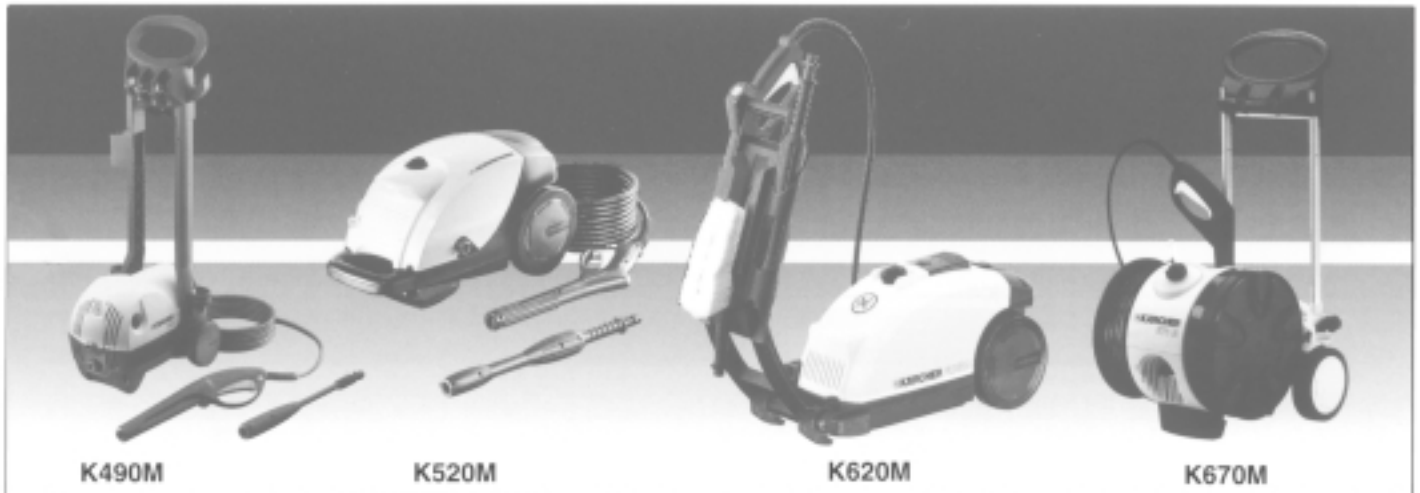


# Industrial / Commercial High Pressure Cleaners

## Multi- Purpose High Pressure Cleaners



### Medium Duty

	Water flow rate		Pressure		Power		Current	Weight (without accessories)	Auto Shutdown
	liter/ hr	liter/ min	psi	bar	Hp	KW	Amp	kg	
K 390 M	380	6.3	1595	110	2.3	1.7	8.5	12.5	✓
K 490 M	400	6.7	1740	120	2.6	1.9	9.0	13.0	✓
K 520 M	450	7.5	290-1740	20-120	2.7	2.0	9.5	12.5	✓
K 550 M	420	7.0	290-1740	20-120	2.7	2.0	9.5	16.5	✓
K 620 M	500	8.3	290-1885	20-130	3.0	2.2	10.0	15.5	✓
K 670 M	500	8.3	290-1885	20-130	3.0	2.2	10.0	19.5	✓

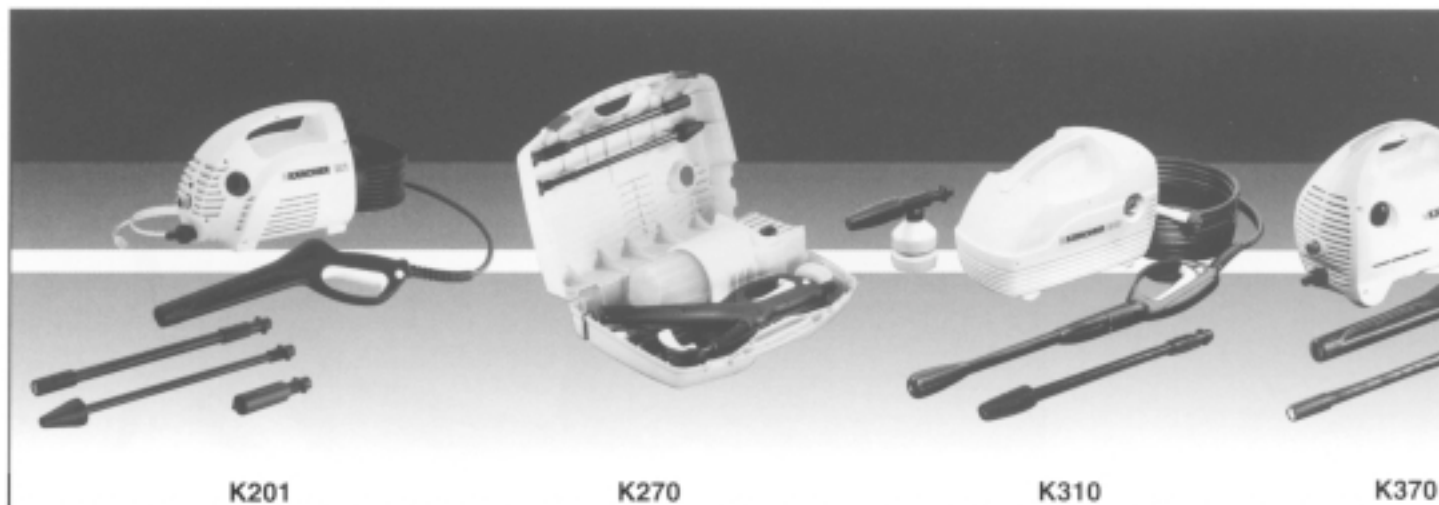
## Professional High Pressure Cleaners



### Super Heavy Duty

	Water flow rate		Pressure		Power		Weight (without accessories)	Auto Shutdown
	liter/ hr	liter/ min	psi	bar	Hp	KW	kg	
Three Phase 400V 50Hz								
HD 690	240-700	4.0-11.7	290-2538	20-175	6.3	4.7	26.5	✓
HD 895S	150-890	2.5-14.8	145-2828	10-195	8.8	6.5	37.0	✓
HD 1090	300-960	5.0-16.0	145-3335	10-230	11.3	8.4	55.0	✓
HD 1290S	500-1290	6.0-21.5	290-2538	20-170	11.3	8.4	55.0	✓
HD 2000 Super	500-1800	6.0-30.0	145-2900	10-200	18.1	13.4	130.0	✓

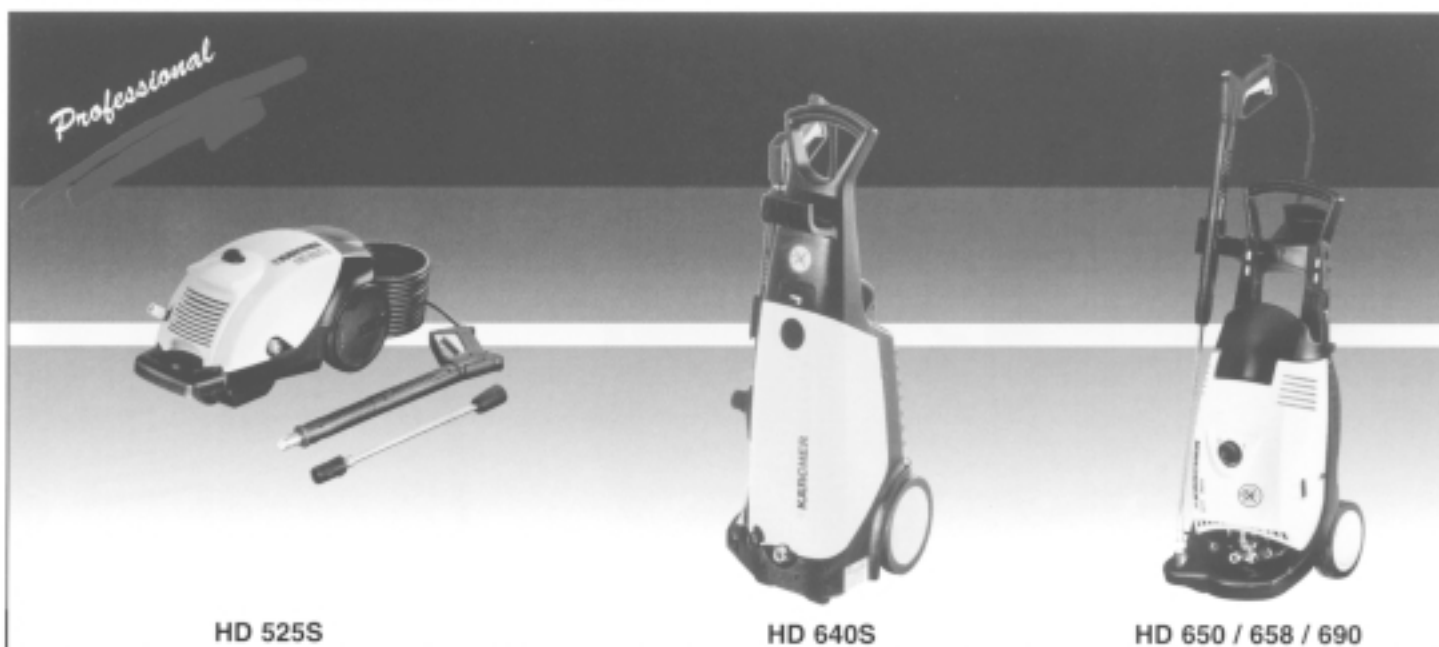
## Multi- Purpose High Pressure Cleaners



### Light Duty

	Water flow rate		Pressure		Power		Current	Weight (without accessories)	Auto Shutdown
	liter/ hr	liter/ min	psi	bar	Hp	KW	Amp	kg	
K 201 plus	360	6.0	1450	100	2.2	1.6	8.0	5.0	✓
K 205 plus	360	6.0	1450	100	2.2	1.6	8.0	5.0	✓
K 210 plus	360	6.0	1450	100	2.2	1.6	8.0	5.0	✓
K 270 plus	360	6.0	1450	100	2.2	1.6	8.0	6.0	✓
K 370	380	6.3	1595	110	2.3	1.7	8.5	11.5	✓
K 310	400	6.7	1595	110	2.4	1.75	8.5	12.0	✓

## Professional High Pressure Cleaners



### Medium Duty

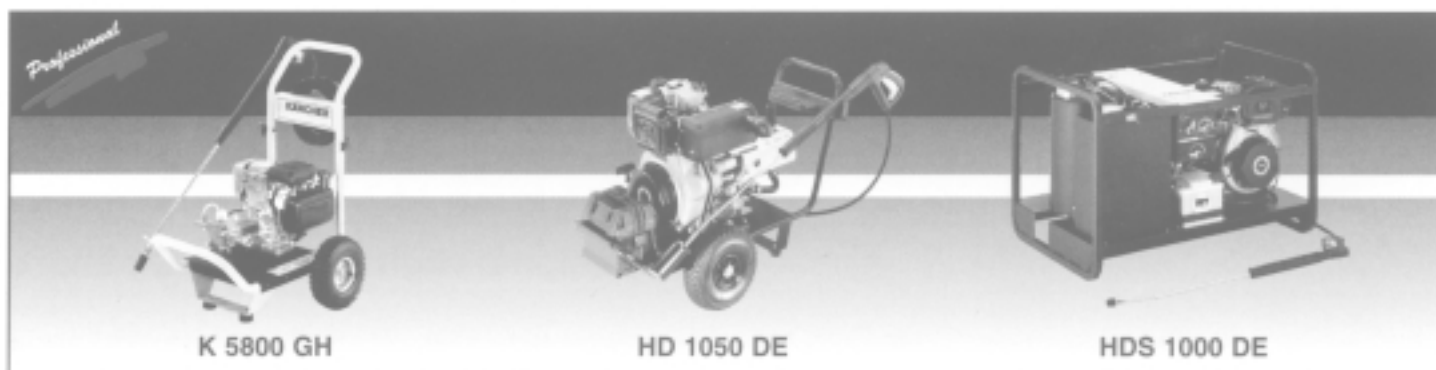
	Water flow rate		Pressure		Power		Weight (without accessories)	Auto Shutdown
	liter/ hr	liter/ min	psi	bar	Hp	KW	kg	
Single Phase 230V 50Hz								
HD 525S	500	8.3	1568	115	3.0	2.2	15.0	✓
HD 640S	550	9.2	145-2030	10-140	4.1	3.0	22.5	✓
HD 650	180-550	3.0-9.2	290-2175	20-150	4.2	3.1	26.5	✓
HD 658	150-480	2.5-8.0	290-2465	20-170	4.2	3.1	26.5	✓
HD 855S	150-550	2.5-9.2	145-2248	10-155	4.6	3.4	37.0	✓

# Hot Water High Pressure Cleaners



	Water flow rate		Pressure		Power		Weight (without accessories)	
	liter/ hr	liter/ min	psi	bar	Hp	KW		
HDS 558 C	290-550	5-9	435-2030	30-140	4	3	Single phase 230V 50Hz	94
HDS 798 C	350-750	6-12	435-2610	30-180	8	6	Three phase 400V 50Hz	94
HDS 895	400-900	7-15	435-2610	30-180	8	6	Three phase 400V 50Hz	120
HDS 1195	600-1200	10-20	435-2610	30-180	11	8	Three phase 400V 50Hz	155
HDS 801 E	300-750	5-12	435-2175	30-150	8+32	6+24	Three phase 400V 50Hz	100

# Engine Driven High Pressure Cleaners



	Water flow rate		Pressure		Power		Weight (without accessories)	
	liter/ hr	liter/ min	psi	bar	Hp	KW		
K 5800 GH	570	10	2300	159	5	4	Honda - Petrol Engine	35
K 14000 G	900	15	3500	242	13	10	B&S - Petrol Engine	66
HD 1050 DE	400-930	7-16	580-3335	40-230	9	6.6	Yanmar - Diesel Engine	103
HDS 1000 DE	450-900	8-15	870-2610	60-180	9	6.6	Yanmar - Diesel Engine	185

# Other equipment for professional use

